



TSS

TSS (Total Safety Solutions)

Flexideck Cantilever Loading Platforms

Working At Height Specialists
Safe Working Solutions

www.tss-me.com

Authorized Licensee of Preston

 **PRESTON**



At **TSS** our company philosophy is aimed at providing the full range of Fall Safety solutions and services to our customers with integral safety and quality in mind. We are leading this field by providing Fall Safety products for Sale and Rental backed up with Technical, Training, Rigging and maintenance support services. We pride ourselves with having an in-depth industry and market knowledge and understanding the need of our customers. Our tremendous growth in such short space of time shows our customer's confidence in our products and services providing us with the inspiration to continue our journey in providing a safer workplace for our customers.

Bruce Shahabi
General Manager



Company Activity

TSS are market leaders in the working at height and fall safety systems within a multi-discipline industry. Since its inception, TSS has grown organically, predominantly through referral and customer satisfaction which is a testament to the high standards we work to and our dedication to our customers. Within the business we have over 50 years experience in the Fall Safety Systems.

TSS have a unique offering of Sale, Rental and Contract supply of Fall Prevention (Temporary Edge Protection systems, guard Railing), Fall Protection (Safety Netting, Safety Net Fans), Fall Arrest and PPE systems for Construction, Industrial, Infrastructure and Oil & Gas sector within the MENA region. We have an extensive Industry approved Training Programs for Height Safety activities.



TSS Flexideck Retractable Loading Platform

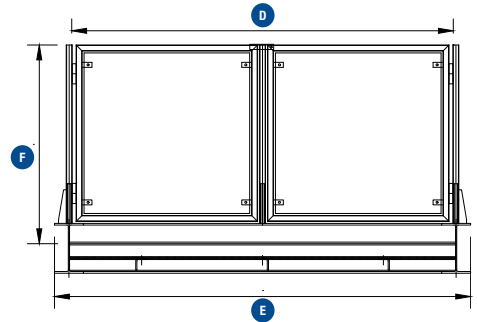
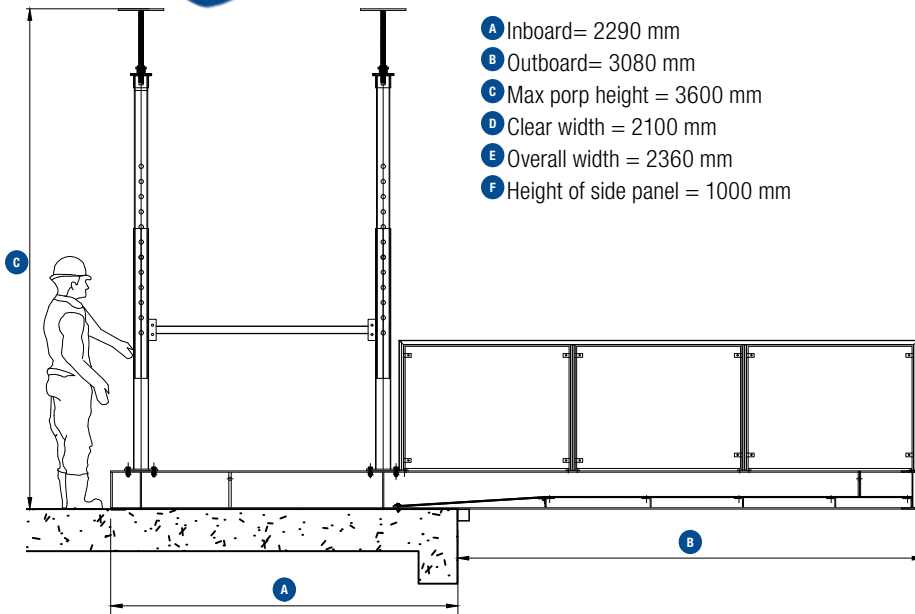
- Authorized licensee of Preston Australia, the world renowned designer and manufacturer Loading Platforms
- Safe and efficient loading and off-loading of material
- Installed vertically in line, for reduced crane time and increased safety and productivity
- Easy installation with pre-designed lifting lugs, Telescopic Props, hinged end panel doors
- 8mm chequered plate deck with built-in adjustable self levelling ramp
- One person can retract or extend the platform
- Stackable units for multiple unit transportation



Flexideck Loading Platform 25 kN

Fixed Type

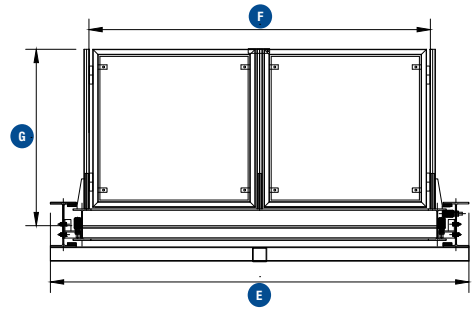
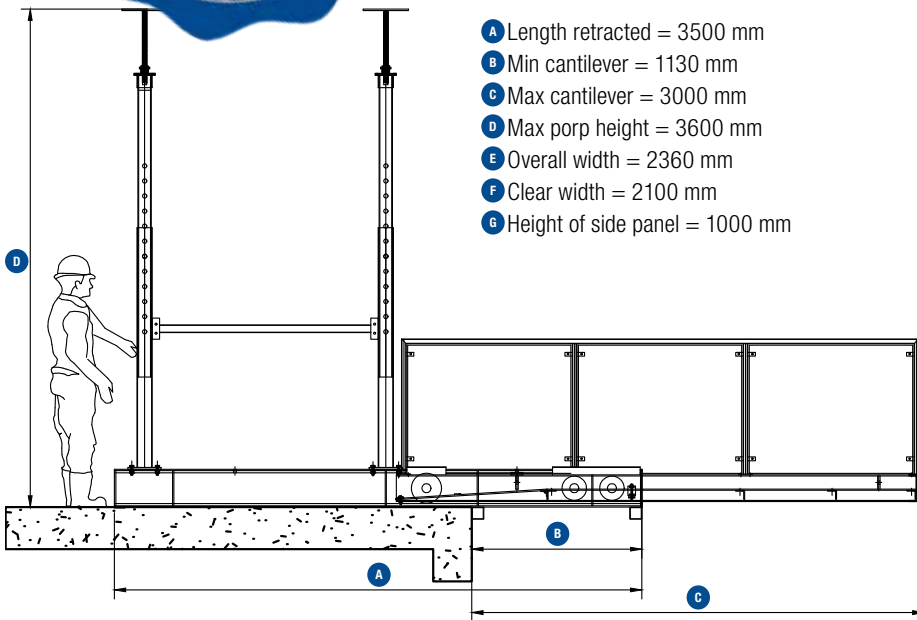
Article No.	TSLPLATF25
S.W.L	25 kN
Finish	Painted



Flexideck Loading Platform 25 kN

Retractable Type

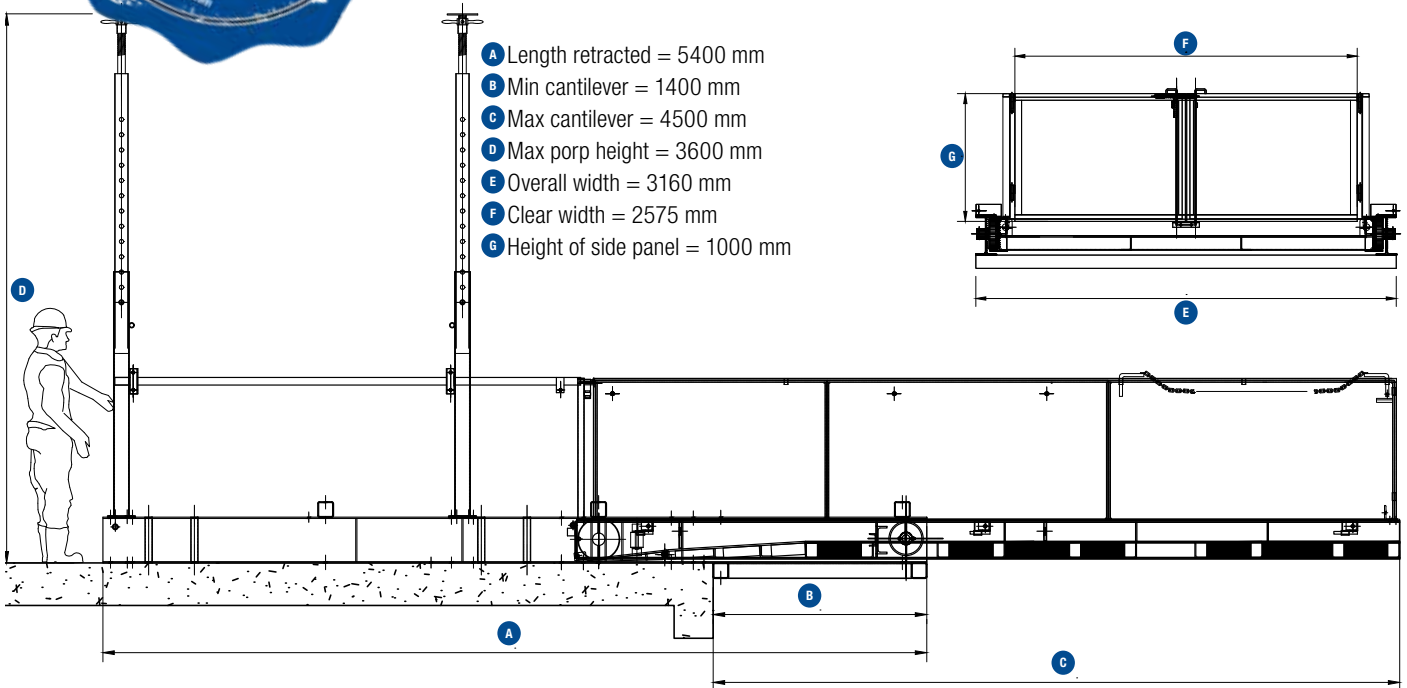
Article No.	TSLPLATR25
S.W.L	25 kN
Finish	Painted



Flexideck Loading Platform 50 kN

Retractable Type

Article No.	TSLPLATR50
S.W.L	50 kN
Finish	Painted





SAFETY NOTES:

1. Proof Load testing of loading Platforms must be carried out in accordance with national safety regulations of the territory of use.
2. End user must read the TSS Assembly Instructions and carry out a site specific method statement and risk assessment for the assembly and use of Loading Platforms.
3. Only competent qualified Riggers shall be employed for the assembly, use and removal of Loading Platforms.
4. End user must ensure that existing structure upon which the Loading Platform to be mounted on is capable of carrying the imposed loads within the acceptable criteria set by the Engineer.



TSS (Total Safety Solution)
 TSS Trading LLC, PO Box 282691
 Dubai, United Arab Emirates

www.tss-me.com
 info@tss-me.com

Tel : +971 4 380 5391
 Fax : +971 4 321 4155

